



D 85 AHA
D 100 AHA
D 120 AHA



DIMENSIONS (mm)		D 85 AHA	D 100 AHA	D 120 AHA			
A		990	990	1190	990	1190	1391
B		-	-	-	350	245	100
C		1015	1215 (1125*)	1200	1015	1200	1450
D		1435	1440	1485	1420	1470	1500
E		930	935	980	1200	1020	1090
F		1225	1230	1275	1225	1275	1275
G		2230	2235	2280	2380	2430	2525
H		495	485	440	490	435	435
I		215	220	265	215	265	275
J		822	822	822	804	804	820
K		1500	1500	1500	1500	1500	1600
L		820	820	820	820	820	820
M		3142	3142	3142	3124	3124	3240
N		1630	1635	1680	-	-	-
O		2130	2135	2180	-	-	-
P		2930	2935	2980	-	-	-
Q		2600	2605	2650	2600	2650	2600
R		1950	1955	2000	1950	2000	2015
S		2370	2375	2420	2370	2420	2450

D 85 AHA_ 850 Kg

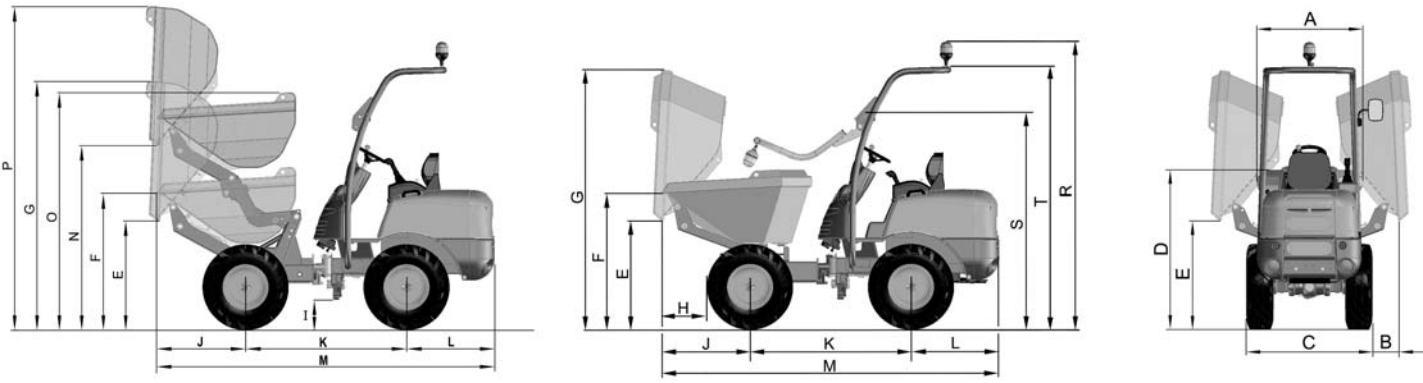
D 100 AHA_ 1000 Kg

D 120 AHA_ 1200 Kg

NOT APPLICABLE

NOT APPLICABLE

* with optional tyres



TECHNICAL SPECIFICATIONS

	D 85 AHA / D 100 AHA / D 120 AHA		
Load capacity (Kg)	850 / 1000 / 1200	850 / 1000 / 1200	1500
Unloading system	Hydraulic tipping.	Hydraulic, 180° rotating.	Hydraulic, 180° rotating.
Chassis		Articulated +/- 35° and oscillating +/- 15°.	
Hopper capacities (l)	Water: 345 / 345 / 425 Levelled: 395 / 395 / 515 Heaped: 505 / 505 / 680	325 / 415 390 / 495 510 / 670	520 626 835
Engine	Diesel: Kubota D1105 Power acc./SAE J 1995 (KW/HP): 22,8 / 16,8 N° of Cylinders: 3 Cooling system: Water	Kubota D1105 22,8 / 16,8 3 Water	Kubota D1105 22,8 / 16,8 3 Water
Traction		4 x 4 permanent	
Transmission		Hydrostatic with variable flow pump and automatic regulation. Forward and reverse control on the joystick.	
Engine starting system		Electric	
Speed (max.) (Km/h)	14 / 15 / 17	14 / 17	17
Axles		Axles with planetary wheel reduction	
Unladen weight (Kg)	1300 / 1300 / 1375	1300 / 1375	1510
Gradient negotiable (with full load)	43% / 38% / 48%	43% / 48%	40%
Hydraulic circuit	Gear pump of 8 cc. Working pressure 170 bar.	Gear pump of 8 cc. Working pressure 170 bar.	Gear pump of 8 cc. Working pressure 210 bar.
Tyres	Standard: 7.00-12" / 11.0/65-12 / 10.0/75-15.3" Optional (D100AHA-AHG): 27x8.50-15	7.00-12" / 10.0/75-15.3" - / 27x8.50-15" / -	10.0/75-15.3"
External turning circle (mm)	3060	3060	3260
Steering		Hydraulic	
Tank capacity (l)	Fuel: 23 Hydraulic fluid: 21.2	23 21.2	23 21.2
Service and parking brake		Sealed oil-immersed, multidisc, mechanically operated	

NOT APPLICABLE

NOT APPLICABLE

NOT APPLICABLE

NOT APPLICABLE

STANDARD EQUIPMENT

Anti vandal system
Ergonomic seat
Seat belt
Joystick
ROPS
Rotating beacon
Rear view mirror

OPTIONAL EQUIPMENT

FOPS overhead guard
Lighting equipment
Audible reverse warning (Std. UK)