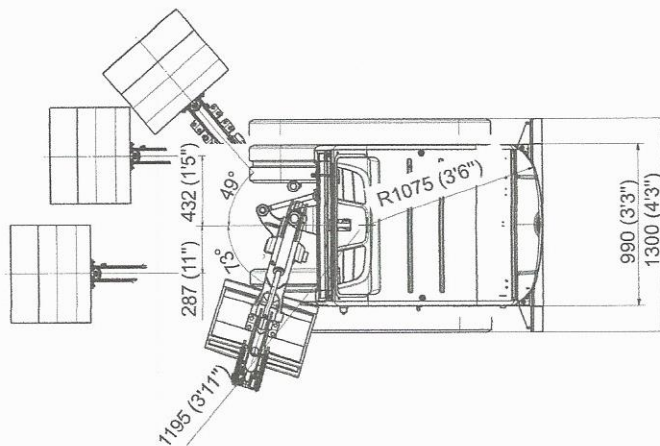
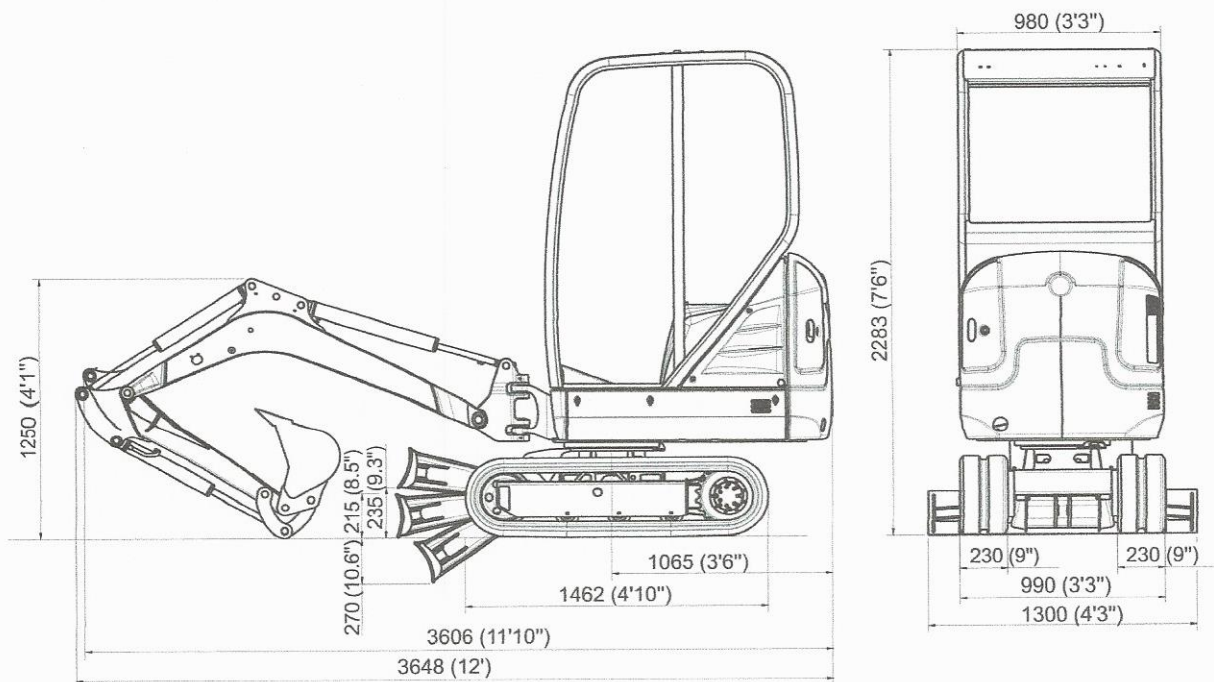


6.11 Dimensions



Main data	1404/ET16
Transport weight ¹ canopy/cab	1402 kg/1492 kg (3091 lbs/3289 lbs)
Transport weight ¹ with telescopic travel gear canopy/cabin (option)	1490 kg/1580 kg (3,285 lbs / 3,483 lbs)
Operating weight ² canopy/cab (option)	1528.8 kg/1618.8 kg (3,370 lbs/3,569 lbs)
Operating weight ² with telescopic travel gear canopy/cab (option)	1616.8 kg/1706.8 kg (3564 lbs/3763 lbs)
Height (standard)	2283 mm (7'6")
Height (telescopic travel gear)	2317 mm (7'-7")
Upper carriage width	980 mm (3'3")
Width	990 mm (3'-3")
Width with retracted/extended telescopic travel gear	990 mm/1300 mm (3'-3"/4'-3")
Width with stabilizer blade folded in/out	990 mm/1300 mm (3'-3"/4'-3")
Transport length (short stick)	3645 mm (12')
Transport length (long stick)	3605 mm (11'10")
Max. digging depth	2240 mm (7'4")
Stick length (standard)	940 mm (3'1")
Long stick length (option)	1100 mm (3'7")
Max. vertical digging depth	1640 mm (5'-5")
Max. digging height	3390 mm (11'2")
Max. tilt-out height	2370 mm (7'9")
Max. digging radius	3700 mm (12'2")
Max. reach at ground level	3650 mm (12')
Max. breakout force at bucket tooth	14.2 kN (3,192 lbf)
Max. tearout force	7.1 kN (1,596 lbf)
Min. tail end slewing radius	1075 mm (3'6")
Max. tail end lateral projection (90° rotation of upper carriage)	580 mm (1'11")
Max. boom displacement to bucket center (right side)	432 mm (1'5")
Max. boom displacement to bucket center (left side)	287 mm (11")

1. Transport weight: basic machine + 10 % fuel capacity.

2. Operating weight: basic machine + full fuel tank + backhoe bucket (400 mm) + user (75 kg/165 lbs).



Notice!

The actual machine weight depends on the selected options and must be read off the type label.

Add the weight of all subsequently installed equipment to the weight of the machine.

Weight indications can vary by +/- 2 %.